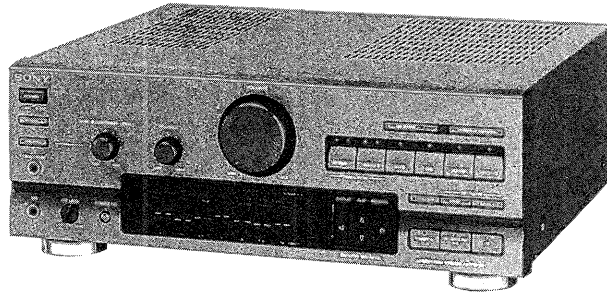


TA-A60

SERVICE MANUAL

*E Model
Australian Model*



This set is the amplifier section in LBT-A60/A60CD/A60CDM.

SPECIFICATIONS

Continuous RMS power output

70 W + 70 W
(6 ohms, at 1 kHz, 5% THD)

Peak Music power output

850 W
(4 speakers driven)

Input	Jack type	Sensitivity	Impedance
VIDEO1/DAT	Phono	245 mV	47 kohms
VIDEO2	Phono	245 mV	47 kohms
PHONO (MM)	Phono	3.3 mV	47 kohms
MIC	Phone	1 mV	10 kohms

Audio output	Jack type	Voltage	Impedance
VIDEO 1/DAT	Phono	200 mV	2 kohms
SURROUND SPEAKER	Phono	Accepts speakers of 8 to 16 ohms	
HEADPHONES	Stereophone	Accepts headphones of 8 ohms or more	

Video output (phono jacks)

VIDEO 1/DAT

1 Vp-p, 75 ohm unbalanced, sync negative

MONITOR

1 Vp-p, 75 ohm unbalanced, sync negative

Frequency response

15 Hz to 50 kHz ± 0 dB

Power requirements

120 V/220 V/240 V AC, adjustable with the voltage selector, 50/60 Hz

Power consumption

190 W

Weight

Approx. 6.5 kg

Dimensions

Approx. 355 × 132 × 320 mm
(w/h/d, including projections)



Design and specifications are subject to change without notice.

INTEGRATED STEREO AMPLIFIER
SONY®

TABLE OF CONTENTS

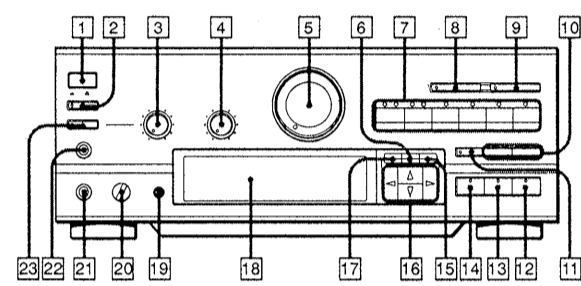
<i>Section</i>	<i>Title</i>	<i>Page</i>
SECTION 1.	GENERAL	3
SECTION 2.	DIAGRAMS	
2-1.	Circuit Boards Location	3
2-2.	Schematic Diagrams — Panel Section —	4
2-3.	Schematic Diagrams — Main Section —	8
2-4.	Printed Wiring Boards	13
2-5.	Semiconductor Lead Layouts	18
SECTION 3.	EXPLODED VIEWS	
3-1.	Cabinet Section	20
3-2.	Main Board Section	21
SECTION 4.	ELECTRICAL PARTS LIST	22

SAFETY-RELATED COMPONENT WARNING!!

COMPONENTS IDENTIFIED BY MARK  OR DOTTED LINE WITH MARK  ON THE SCHEMATIC DIAGRAMS AND IN THE PARTS LIST ARE CRITICAL TO SAFE OPERATION. REPLACE THESE COMPONENTS WITH SONY PARTS WHOSE PART NUMBERS APPEAR AS SHOWN IN THIS MANUAL OR IN SUPPLEMENTS PUBLISHED BY SONY.

**SECTION 1
GENERAL**

Location of Controls

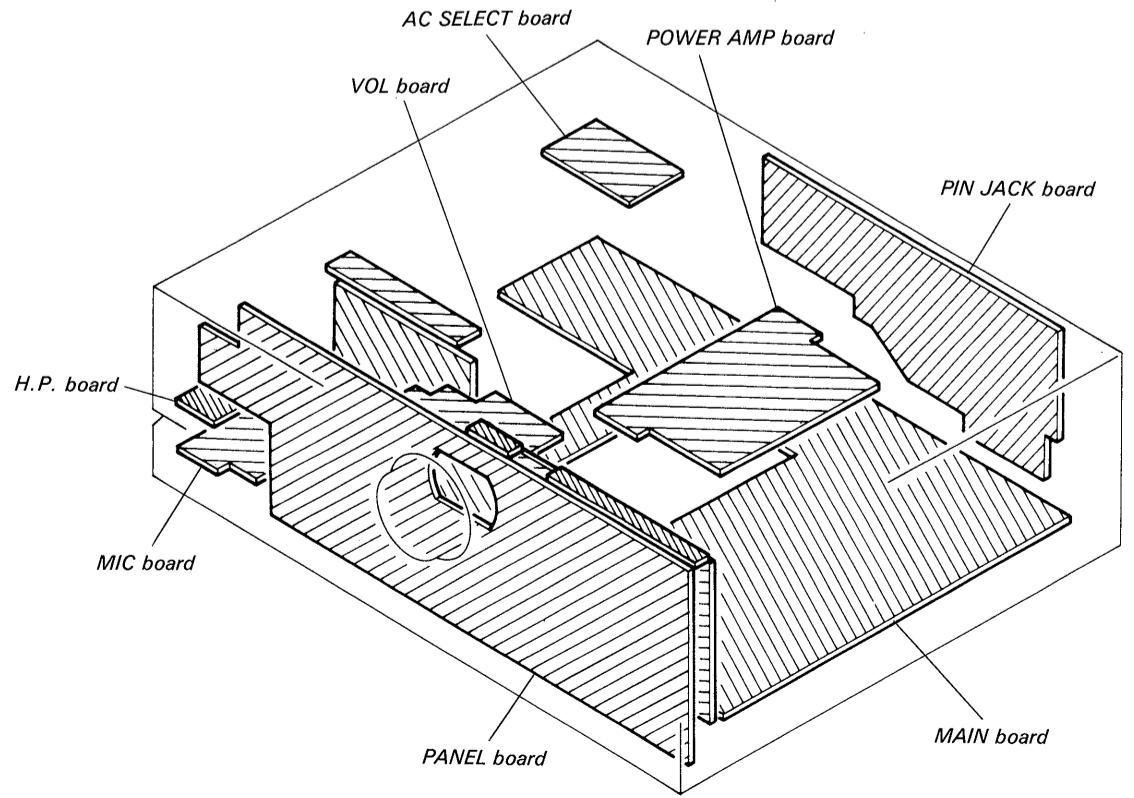


- 1 POWER switch (16)
- 2 EFFECT button and indicator (80)
- 3 BASS SYNTHESIZER LEVEL control (18)
- 4 BALANCE control (18)
- 5 VOLUME control and indicator (18)
- 6 FLAT button (82)
- 7 Function selectors and indicators
- 8 CD DIRECT button and indicator (18)
- 9 PROGRAM FUNCTION button and indicator (140)
- 10 SURROUND MODE and SURROUND LEVEL buttons (74)
- 11 MEMORY button and indicator (84)
- 12 EQ button and indicator (78)
- 13 PERSONAL FILE 1-5 button and indicator (88)
- 14 SELECT 10 button and indicator (76)
- 15 REVERSE button (82)
- 16 CURSOR CONTROL buttons (76, 78, 84, 86)
- 17 DISPLAY button (82)
- 18 Display window
- 19 KARAOKE PON button and indicator (70)
- 20 MIC (microphone) LEVEL control (68)
- 21 MIC (microphone) jack (68)
- 22 HEADPHONES jack
- 23 BASS SYNTHESIZER button and indicator (18)

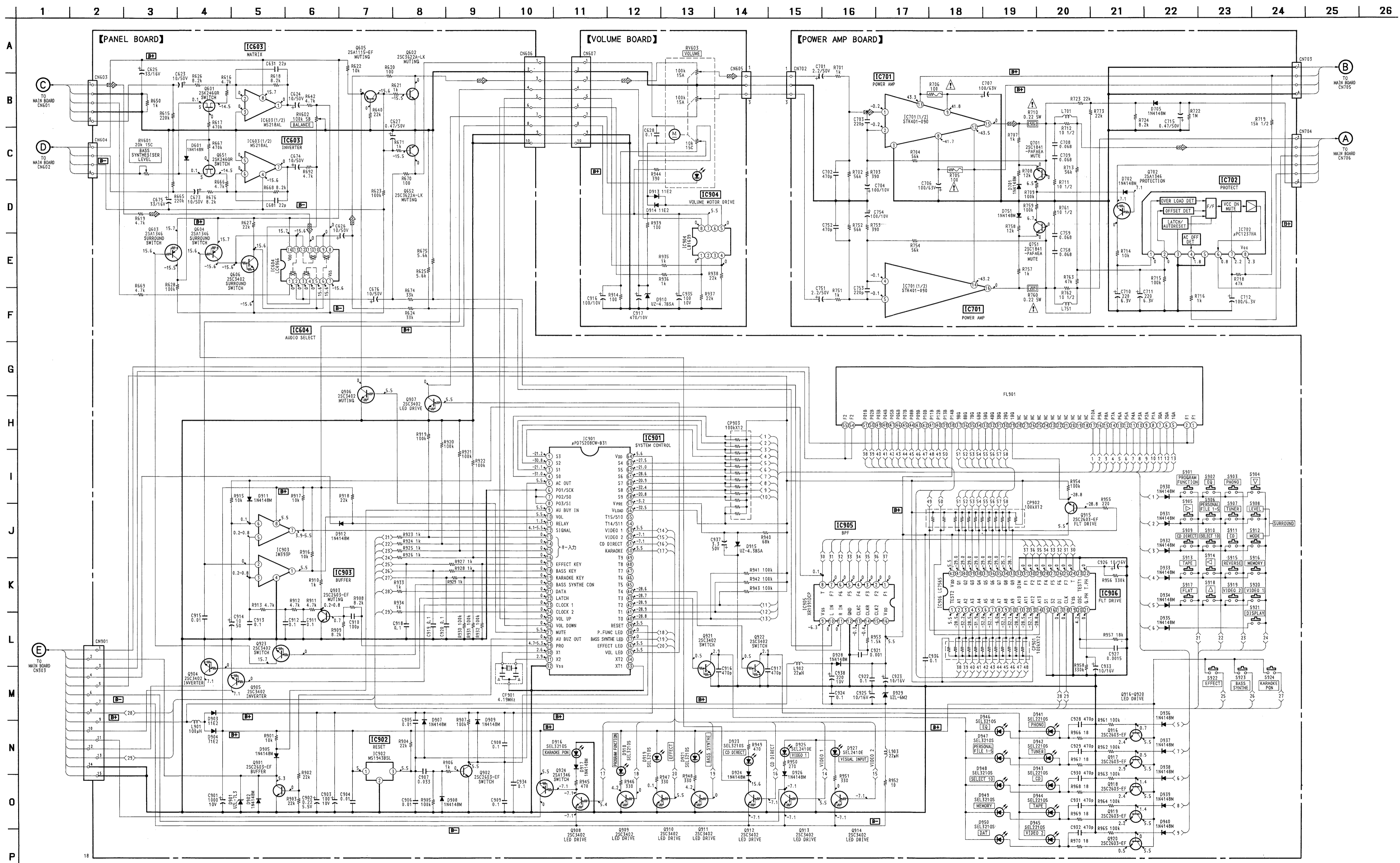
This section is extracted from instruction manual.

**SECTION 2
DIAGRAMS**

2-1. CIRCUIT BOARDS LOCATION



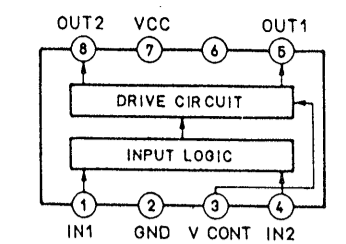
2-2. SCHEMATIC DIAGRAMS - PANEL Section -



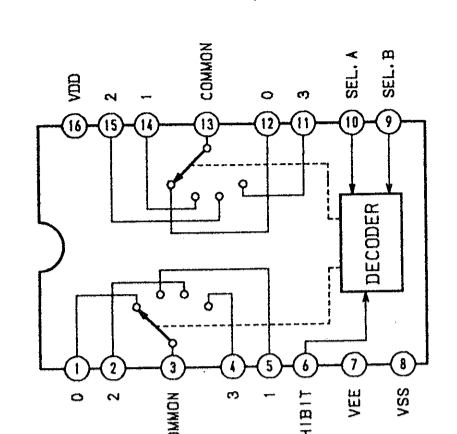
- Note:**
- All capacitors are in μF unless otherwise noted. pF: μF 50WV or less are not indicated except for electrolytics and tantalums.
 - All resistors are in Ω and $\frac{1}{2}\text{W}$ or less unless otherwise specified.
 - \triangle : internal component.
 - \square : nonflammable resistor.
 - $\text{---}/\text{---}$: fusible resistor.
 - $\text{---}/\text{---}$: printed resistor.
 - \square : B+ Line
 - \square : B- Line
 - \square : adjustment for repair.
 - \square : selected to yield optimum performance.
 - AC voltage readings in the bias oscillator with a VTVM.
 - Total current is measured with no cassette installed.
 - Power voltage is dc V and fed with regulated dc power supply from external power voltage jack.

- Voltage and waveforms are dc with respect to ground under no-signal (detuned) conditions.
- Voltages are taken with a VOM (input impedance 10M Ω).
- Voltage variations may be noted due to normal production tolerances.
- Circled numbers refer to waveforms.
- Signal path.
- CD

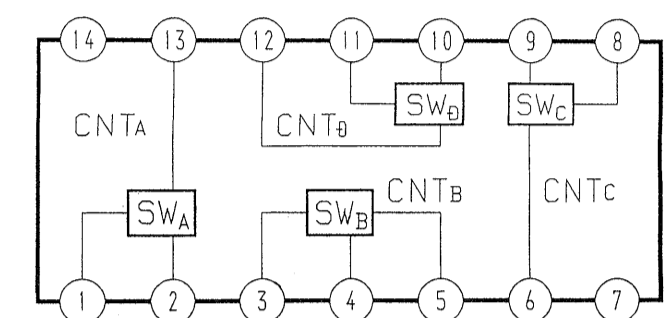
IC Block Diagrams IC904 LB1639



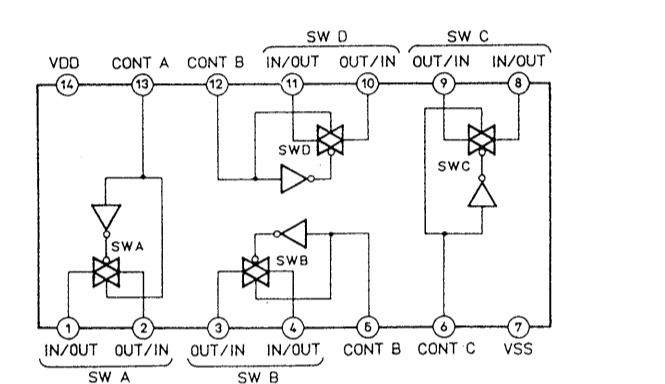
IC102 MC14052BCP



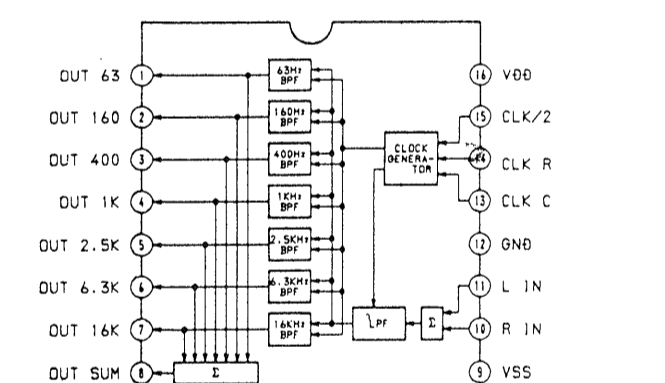
IC103 μ MC14066BCP



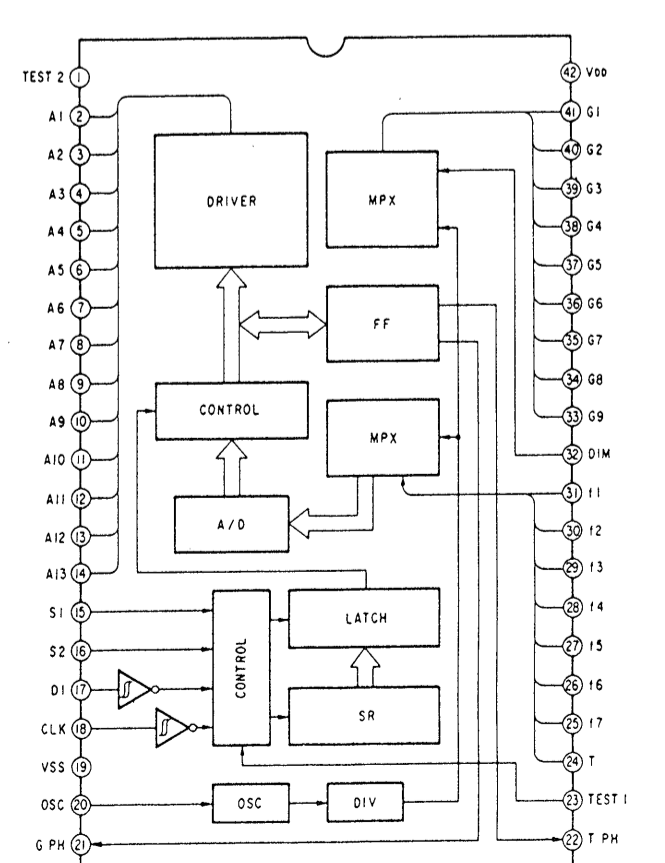
IC604 LC4966



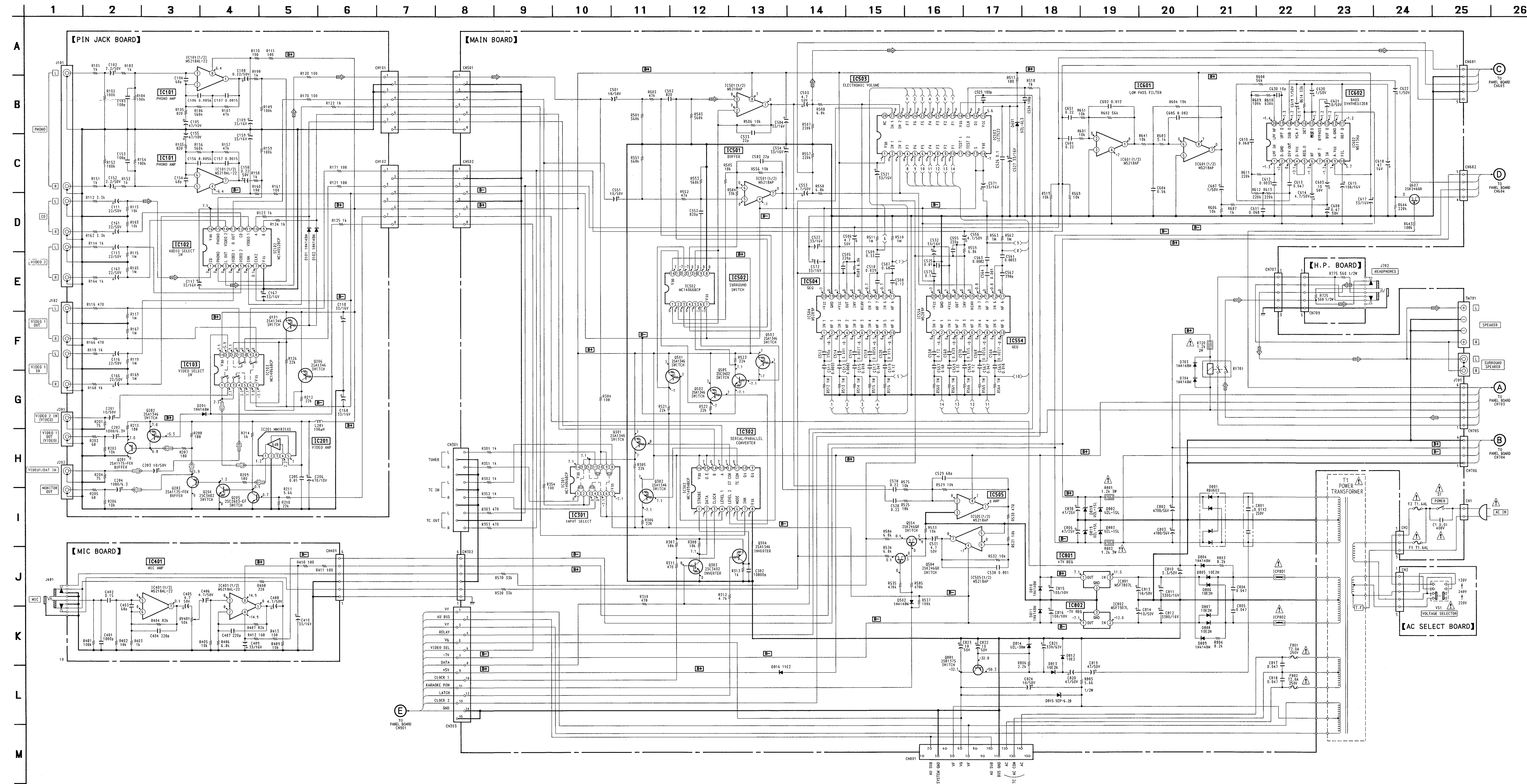
IC905 XR1091DCP



IC906 LC7565K



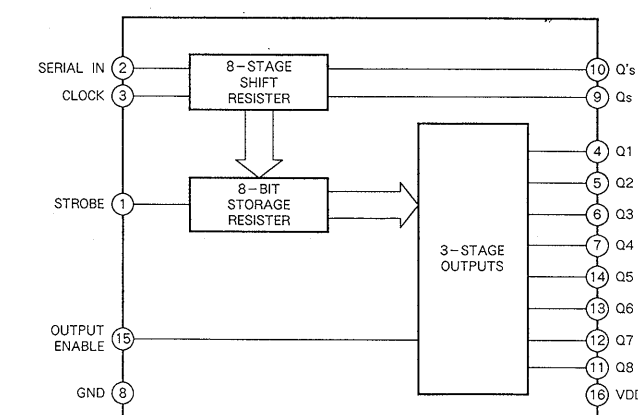
2-3. SCHEMATIC DIAGRAMS - MAIN Section -



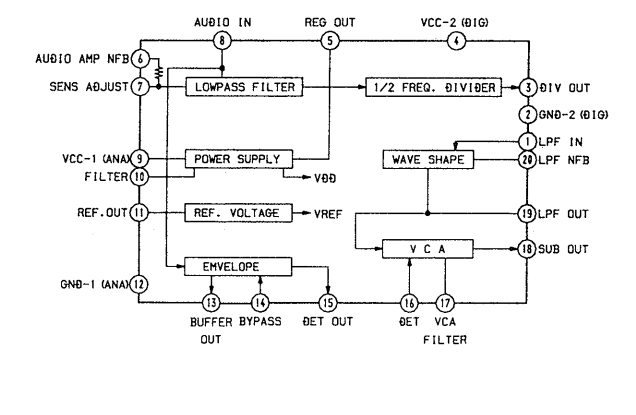
- Note:**
- All capacitors are in μF unless otherwise noted. pF : μF 50WV or less are not indicated except for electrolytics and tantalums.
 - All resistors are in Ω and $\frac{1}{4}\text{W}$ or less unless otherwise specified.
 - \triangle : internal component.
 - \square : nonflammable resistor.
 - \square : fusible resistor.
 - \square : printed resistor.
 - \square : B+ Line
 - \square : B- Line
 - \square : adjustment for repair.
 - \ast : selected to yield optimum performance.
 - AC voltage readings in the bias oscillator with a VTVM.
 - Total current is measured with no cassette installed.
 - Power voltage is dc V and fed with regulated dc power supply from external power voltage jack.
 - Voltage and waveforms are dc with respect to ground under no-signal (detuned) conditions.
 - Voltages are taken with a VOM (Input Impedance 10M Ω). Voltage variations may be noted due to normal production tolerances.
 - Circled numbers refer to waveforms.
 - Signal path.
 - \rightarrow : CD

• IC Block Diagrams

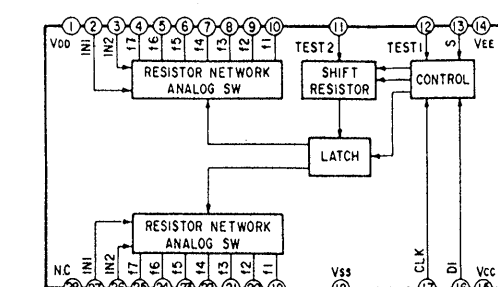
IC302 MC14094BCP



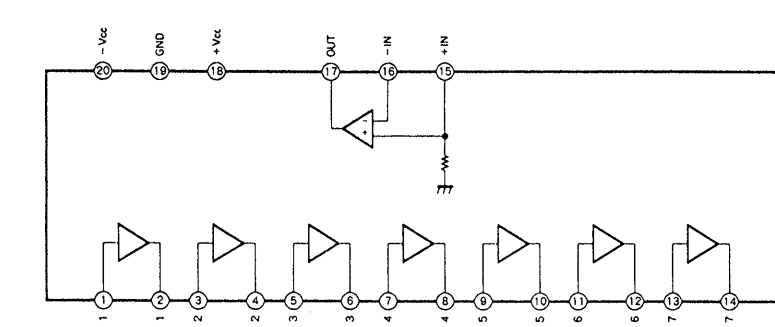
IC602 M51134P



IC503 LC7522K



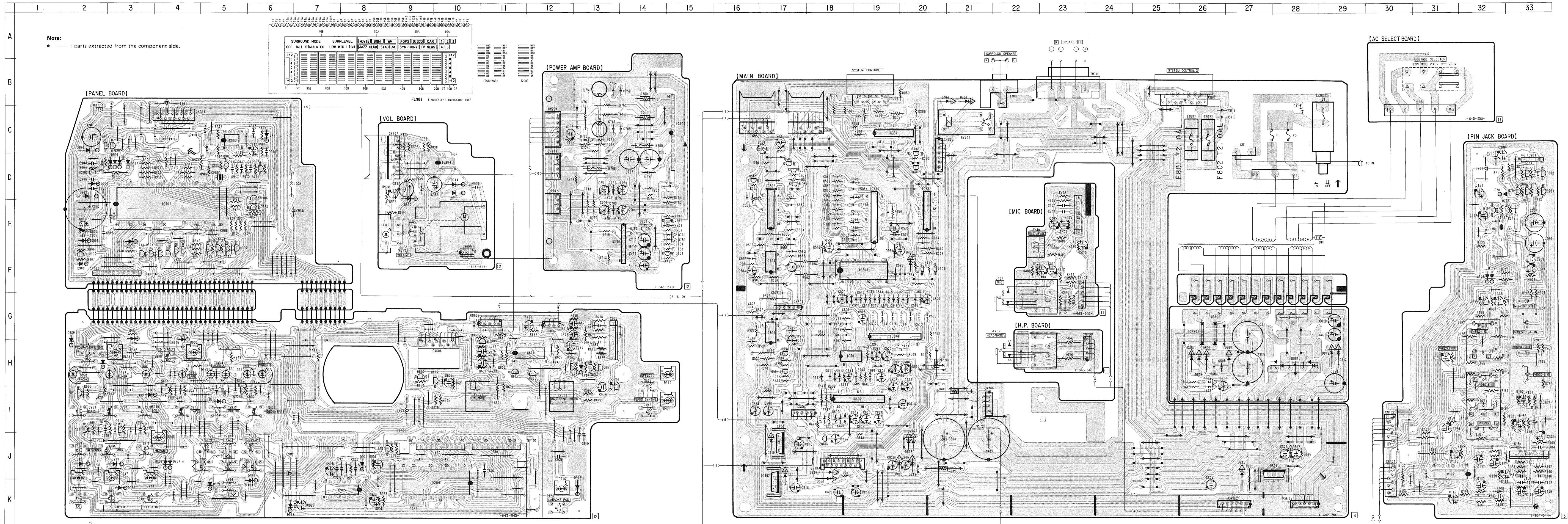
IC504 M5289P



● Semiconductor Location

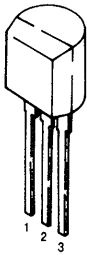
Ref. No.	Location	Ref. No.	Location	Ref. No.	Location
D101	F-32	D928	K-6	Q206	E-33
D102	F-32	D929	J-8	Q301	D-20
D201	D-32	D930	G-2	Q302	C-20
D401	F-20	D931	J-2	Q303	F-20
D502	J-18	D932	K-3	Q304	F-20
D601	H-13	D933	J-3	Q501	D-17
D701	E-15	D934	J-5	Q502	D-17
D702	E-14	D935	K-5	Q503	D-18
D703	B-21	D936	H-2	Q504	H-17
D704	B-21	D937	J-4	Q505	D-16
D705	C-13	D938	J-4	Q554	H-17
D751	E-15	D939	I-3	Q601	H-13
D801	H-28	D940	I-5	Q602	H-10
D802	J-20	D941	H-2	Q603	H-11
D803	J-19	D942	H-3	Q604	H-11
D804	H-26	D943	H-3	Q605	G-11
D805	H-26	D944	H-4	Q606	H-11
D806	H-27	D945	H-5	Q607	J-18
D807	H-26	D946	J-2	Q651	H-13
D808	H-26	D947	J-3	Q652	H-9
D809	H-26	D948	J-3	Q701	E-15
D810	J-17	D949	J-4	Q702	E-14
D811	J-17	D950	H-5	Q751	F-15
D812	H-29			Q801	J-28
D813	H-29	IC101	J-33	Q901	D-5
D814	J-28	IC102	J-31	Q902	F-2
D815	J-27	IC103	E-32	Q903	D-6
D816	J-18	IC201	D-33	Q904	C-2
		IC301	C-19	Q905	C-3
D818	J-20	IC302	E-20	Q906	D-6
D819	J-20	IC401	E-23	Q907	E-5
D901	D-3	IC501	F-17	Q908	F-4
D902	D-3	IC502	E-17	Q909	E-5
D903	D-2	IC503	F-19	Q910	E-5
D904	C-2	IC504	G-19	Q911	E-5
D905	D-3	IC505	G-17	Q912	F-4
D906	D-2	IC554	E-19	Q913	F-3
D907	D-2	IC601	H-18	Q914	F-3
D908	E-2	IC602	I-19	Q915	J-8
D909	D-2	IC603	H-13	Q916	I-2
D910	D-9	IC604	H-12	Q917	I-2
D911	C-6	IC701	C-15	Q918	I-3
D912	D-3	IC702	E-14	Q919	I-4
D913	D-10	IC801	J-17	Q920	J-5
D914	D-10	IC802	J-17	Q921	F-4
D915	E-5	IC901	D-4	Q922	F-4
D916	K-12	IC902	D-2	Q923	E-6
D917	K-13	IC903	C-5	Q924	B-2
D918	H-3	IC904	C-9		
D919	H-15	IC905	K-8		
D921	I-15	IC906	J-10		
D923	H-4				
D924	G-4	Q101	E-32		
D925	H-6	Q201	D-33		
D926	G-3	Q202	D-33		
D927	H-5	Q203	D-33		
		Q204	D-33		
		Q205	D-33		

2-4. PRINTED WIRING BOARDS • See page 3 for Circuit boards location. • See page 18 for Semiconductor lead layouts.

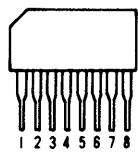


2-5. SEMICONDUCTOR LEAD LAYOUTS

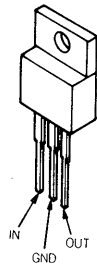
M51943BSL



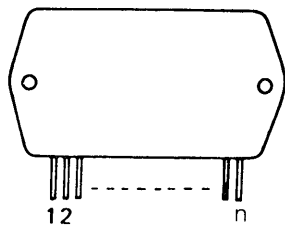
M5218AL
M5218AL-22



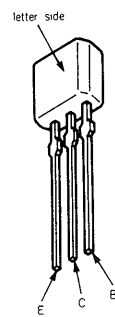
M5F7807
M5F7907



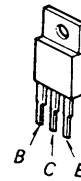
STK4190-MK2



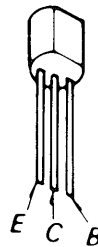
2SA1175-FEK
2SA1175-HFE
DTA124ES



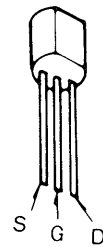
2SB1094-LK



2SC1841-PAFAEA



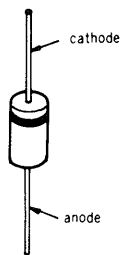
2SK246GR



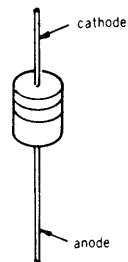
DTC114ES



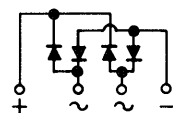
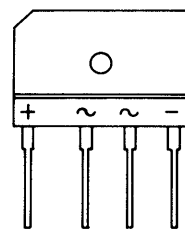
10E2
10E2N



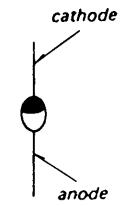
HZS30-2L
UZ-4.7BSA
UZL-15L



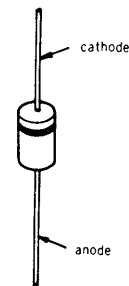
RBV-602-01



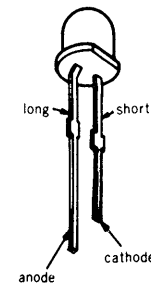
UZ-4.3BSA



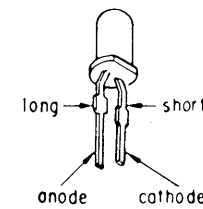
UZP-6.2B-TP



SEL2210-D



SEL2410E-D



SECTION 3 EXPLODED VIEWS

NOTE:

- -XX, -X mean standardized parts, so they may have some differences from the original one.

- Color Indication of Appearance Parts
Example:

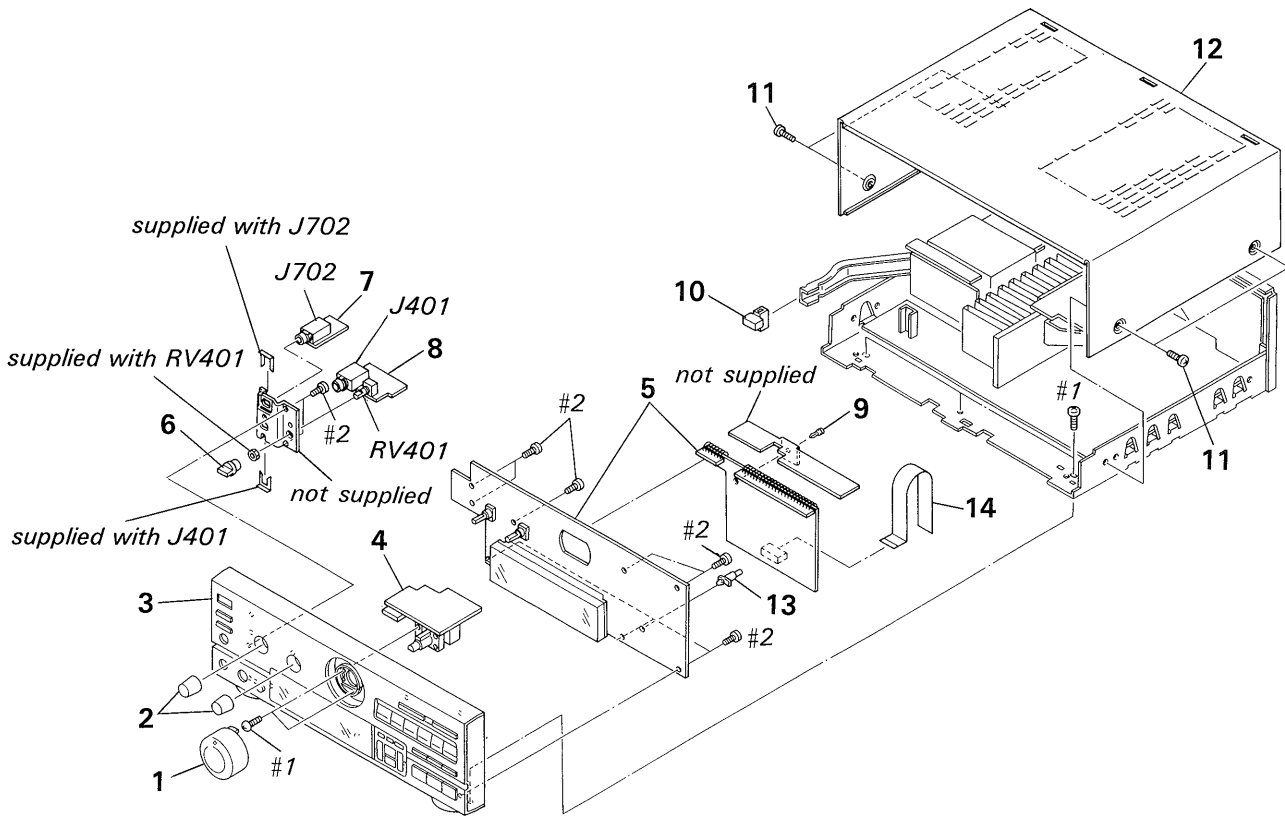
KNOB, BALANCE(WHITE)...(RED)
 ↑ ↑
 Parts color Cabinet's color

- Items marked " * " are not stocked since they are seldom required for routine service. Some delay should be anticipated when ordering these items.
- The mechanical parts with no reference number in the exploded views are not supplied.
- hardware (#mark) list is given in the last of this parts list.

The components identified by mark or dotted line with mark are critical for safety. Replace only with part number specified.

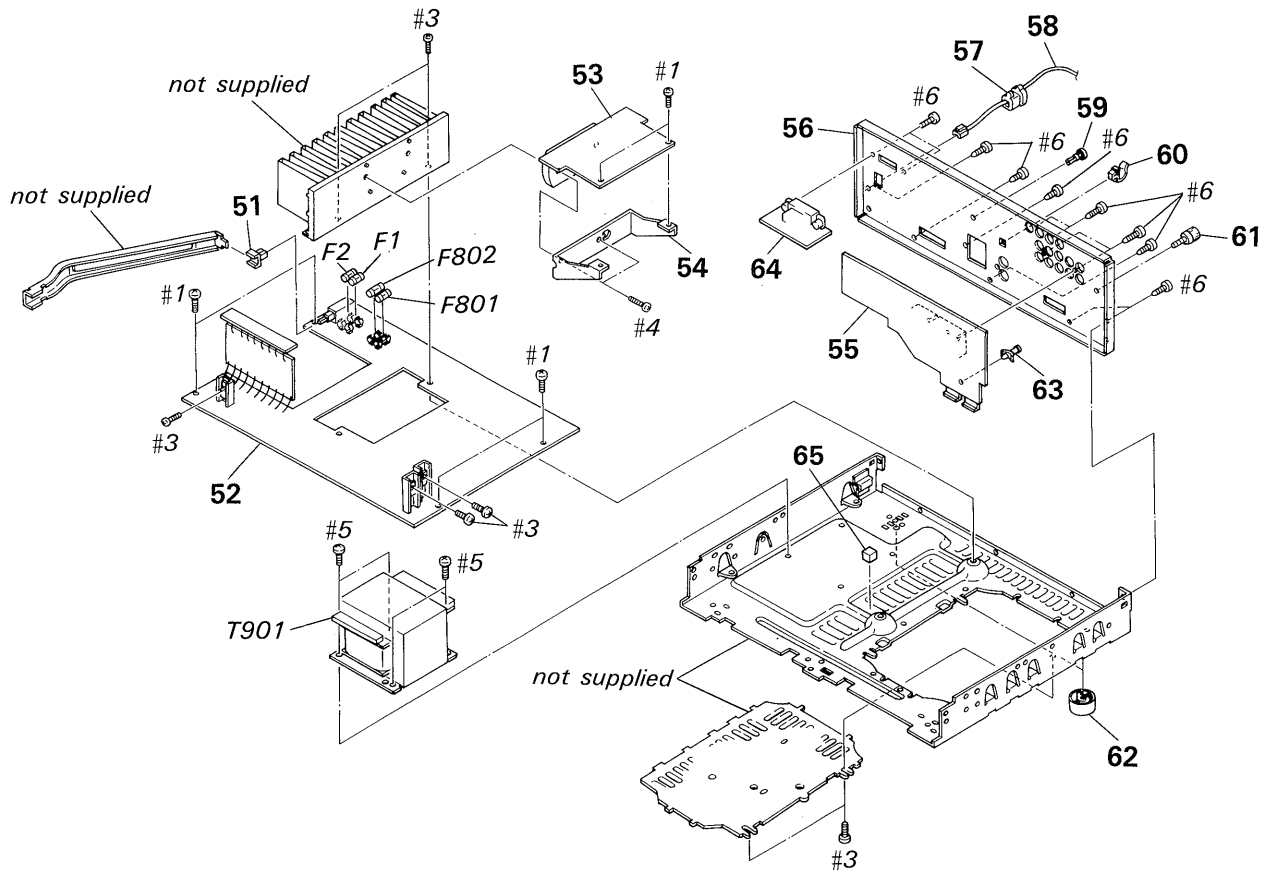
EA: Saudi Arabia
AUS: Australian

3-1. CABINET SECTION



Ref. No.	Part No.	Description	Remark	Ref. No.	Part No.	Description	Remark
1	X-4942-418-1	KNOB ASSY, ROUND		10	4-942-061-11	BUTTON (P)	
2	4-950-651-11	KNOB (DIA. 16), ROUND		11	3-363-099-01	SCREW (CASE +3X8 TP2)	
3	X-4942-415-1	PANEL ASSY, FRONT		* 12	4-949-912-11	CASE	
* 4	1-643-547-11	VOL BOARD		* 13	4-924-098-31	HOLDER, PC BOARD	
* 5	A-4347-262-A	PANEL BOARD, COMPLETE		14	1-690-095-11	WIRE, FLAT TYPE (15 CORE)	
6	4-950-652-11	KNOB (DIA. 12), ROUND		J401	1-507-854-00	JACK, PHONE (MIC)	
* 7	1-643-546-11	H. P. BOARD		J702	1-507-854-00	JACK, PHONE (HEADPHONES)	
* 8	1-643-545-11	MIC BOARD		RV401	1-241-317-11	RES. VAR, CARBON 50K (MIC LEVEL)	
9	4-812-134-11	RIVET NYLON, 3. 5					

3-2. MAIN BOARD SECTION



Ref. No.	Part No.	Description	Remark
	51	4-866-342-00 JOINT (B), KNOB	
*	52	A-4347-255-A MAIN BOARD, COMPLETE	
*	53	A-4347-261-A POWER AMP BOARD, COMPLETE	
*	54	4-943-903-01 BRACKET	
*	55	A-4347-264-A PIN JACK BOARD, COMPLETE	
*	56	4-950-653-31 PANEL (B3120), BACK	
*	57	3-703-244-00 BUSHING (2104), CORD (EA, AUS)	
*	57	3-703-571-11 BUSHING (S) (4516), CORD (E)	
⚠	58	1-575-651-11 CORD, POWER (EA)	
⚠	58	1-575-656-11 CORD, POWER (E)	
⚠	58	1-690-056-11 CORD, POWER (AUS)	
*	59	4-912-181-21 SUPPORT, PC	

Ref. No.	Part No.	Description	Remark
*	60	4-949-235-01 HOOK	
	61	4-947-010-01 SCREW, FEEDER FIXED	
	62	4-931-169-01 FOOT	
*	63	3-349-025-31 HOLDER, PC BOARD	
*	64	1-643-550-11 AC SELECT BOARD	
	65	9-911-843-XX CUSHION (B), PC BOARD	
⚠	F1	1-532-259-00 FUSE (T1.6A)	
⚠	F2	1-532-259-00 FUSE (T1.6A)	
⚠	F801	1-532-203-00 FUSE (T2.0A)	
⚠	F802	1-532-203-00 FUSE (T2.0A)	
⚠	T901	1-450-871-11 TRANSFORMER, POWER	

The components identified by mark ⚠ or dotted line with mark ⚠ are critical for safety. Replace only with part number specified.

SECTION 4 ELECTRICAL PARTS LIST

H. P.
MAIN
POWER AMP
AC SELECT

NOTE:

- Due to standardization, replacements in the parts list may be different from the parts specified in the diagrams or the components used on the set.
- -XX, -X mean standardized parts, so they may have some differences from the original one.
- RESISTORS
All resistors are in ohms
METAL: Metal-film resistor
METAL OXIDE: Metal Oxide-film resistor
F: nonflammable

- Items marked " * " are not stocked since they are seldom required for routine service. Some delay should be anticipated when ordering these items.
- SEMICONDUCTORS
In each case, u: μ , for example:
uA...: μ A..., uPA...: μ PA...,
uPB...: μ PB..., uPC...: μ PC...,
uPD...: μ PD...
- CAPACITORS
uF: μ F
- COILS
uH: μ H

When indication parts by reference number, please include the board name.

The components identified by mark Δ or dotted line with mark Δ are critical for safety. Replace only with part number specified.

EA: Saudi Arabia
AUS: Australian

Ref. No.	Part No.	Description	Remark	Ref. No.	Part No.	Description	Remark
*	1-643-546-11	H. P. BOARD ***** < CONNECTOR >		C508	1-136-166-00	FILM 0.12uF 5% 50V	
* CN709	1-564-508-11	PLUG, CONNECTOR 5P < JACK >		C509	1-136-171-00	FILM 0.33uF 5% 50V	
J702	1-507-854-00	JACK, PHONE (HEADPHONES) < RESISTOR >		C510	1-136-160-00	FILM 0.039uF 5% 50V	
R725	1-247-749-11	CARBON 560 5% 1/2W		C511	1-130-477-00	MYLAR 0.0033uF 5% 50V	
R775	1-247-749-11	CARBON 560 5% 1/2W		C512	1-164-080-11	CERAMIC 390PF 10% 50V	
*****				C513	1-130-482-00	MYLAR 0.0082uF 5% 50V	
*	A-4347-255-A	MAIN BOARD, COMPLETE *****		C514	1-106-343-00	MYLAR 1000PF 5% 200V	
*	A-4347-261-A	POWER AMP BOARD, COMPLETE *****		C515	1-136-156-00	FILM 0.018uF 5% 50V	
*	1-643-550-11	AC SELECT BOARD *****		C516	1-106-353-00	MYLAR 0.0027uF 5% 50V	
*	1-533-213-31	HOLDER, FUSE		C517	1-136-161-00	FILM 0.047uF 5% 50V	
*	3-309-144-21	HEAT SINK		C518	1-130-480-00	MYLAR 0.0056uF 5% 50V	
*	4-941-237-01	HEAT SINK		C519	1-136-166-00	FILM 0.12uF 5% 50V	
	7-682-548-04	SCREW +BVTT 3X8 (S)		C520	1-136-155-00	FILM 0.015uF 5% 50V	
		< CAPACITOR >		C521	1-124-034-51	ELECT 33uF 20% 16V	
Δ C1	1-161-744-00	CERAMIC 0.01uF 400V		C522	1-124-034-51	ELECT 33uF 20% 16V	
C302	1-162-306-11	CERAMIC 0.01uF 20% 16V		C523	1-162-282-31	CERAMIC 100PF 10% 50V	
C501	1-126-059-11	ELECT 10uF 20% 50V		C524	1-162-282-31	CERAMIC 100PF 10% 50V	
C502	1-130-470-00	MYLAR 820PF 5% 50V		C525	1-130-483-00	MYLAR 0.01uF 5% 50V	
C503	1-126-163-11	ELECT 4.7uF 20% 50V		C526	1-164-159-11	CERAMIC 0.1uF 50V	
C504	1-124-034-51	ELECT 33uF 20% 16V		C527	1-124-034-51	ELECT 33uF 20% 16V	
C505	1-162-286-31	CERAMIC 220PF 10% 50V		C528	1-136-169-00	FILM 0.22uF 5% 50V	
C506	1-126-163-11	ELECT 4.7uF 20% 50V		C529	1-164-066-11	CERAMIC 68PF 5% 50V	
C507	1-136-175-00	FILM 0.68uF 5% 50V		C530	1-106-343-00	MYLAR 1000PF 5% 200V	
				C531	1-126-163-11	ELECT 4.7uF 20% 50V	
				C532	1-124-034-51	ELECT 33uF 20% 16V	
				C533	1-164-054-11	CERAMIC 22PF 5% 50V	
				C551	1-126-059-11	ELECT 10uF 20% 50V	
				C552	1-130-470-00	MYLAR 820PF 5% 50V	
				C553	1-126-163-11	ELECT 4.7uF 20% 50V	
				C554	1-124-034-51	ELECT 33uF 20% 16V	
				C555	1-162-286-31	CERAMIC 220PF 10% 50V	
				C556	1-126-163-11	ELECT 4.7uF 20% 50V	
				C557	1-136-175-00	FILM 0.68uF 5% 50V	
				C558	1-136-166-00	FILM 0.12uF 5% 50V	

MAIN

POWER AMP

AC SELECT

Ref. No.	Part No.	Description	Remark	Ref. No.	Part No.	Description	Remark
C559	1-136-171-00	FILM	0.33uF 5% 50V	C715	1-126-300-11	ELECT	0.47uF 20% 50V
C560	1-136-160-00	FILM	0.039uF 5% 50V	C751	1-126-161-11	ELECT	2.2uF 20% 50V
C561	1-130-477-00	MYLAR	0.0033uF 5% 50V	C752	1-164-081-11	CERAMIC	470PF 10% 50V
C562	1-164-080-11	CERAMIC	390PF 10% 50V	C753	1-162-286-31	CERAMIC	220PF 10% 50V
C563	1-130-482-00	MYLAR	0.0082uF 5% 50V	C754	1-124-994-11	ELECT	100uF 20% 10V
C564	1-106-343-00	MYLAR	1000PF 5% 200V	C758	1-136-163-00	FILM	0.068uF 5% 50V
C565	1-136-156-00	FILM	0.018uF 5% 50V	C759	1-136-163-00	FILM	0.068uF 5% 50V
C566	1-106-353-00	MYLAR	0.0027uF 5% 50V	C801	1-102-394-11	CERAMIC	0.01uF 250V
C567	1-136-161-00	FILM	0.047uF 5% 50V	C802	1-126-258-11	ELECT	4700uF 20% 56V
C568	1-130-480-00	MYLAR	0.0056uF 5% 50V	C803	1-126-258-11	ELECT	4700uF 20% 56V
C569	1-136-166-00	FILM	0.12uF 5% 50V	C804	1-161-021-11	CERAMIC	0.047uF 10% 25V
C570	1-136-155-00	FILM	0.015uF 5% 50V	C805	1-161-021-11	CERAMIC	0.047uF 10% 25V
C571	1-124-034-51	ELECT	33uF 20% 16V	C806	1-124-910-11	ELECT	47uF 20% 50V
C572	1-124-034-51	ELECT	33uF 20% 16V	C810	1-126-162-11	ELECT	3.3uF 20% 50V
C575	1-164-159-11	CERAMIC	0.1uF 50V	C811	1-124-887-00	ELECT	3300uF 20% 16V
C578	1-136-169-00	FILM	0.22uF 5% 50V	C812	1-124-887-00	ELECT	3300uF 20% 16V
C583	1-164-054-11	CERAMIC	22PF 5% 50V	C813	1-126-059-11	ELECT	10uF 20% 50V
C601	1-136-169-00	FILM	0.22uF 5% 50V	C814	1-126-059-11	ELECT	10uF 20% 50V
C602	1-136-154-00	FILM	0.012uF 5% 50V	C815	1-124-994-11	ELECT	100uF 20% 10V
C603	1-126-059-11	ELECT	10uF 20% 50V	C816	1-124-994-11	ELECT	100uF 20% 10V
C604	1-136-174-00	FILM	0.56uF 5% 50V	C817	1-161-021-11	CERAMIC	0.047uF 10% 25V
C605	1-136-164-00	FILM	0.082uF 5% 50V	C818	1-161-021-11	CERAMIC	0.047uF 10% 25V
C607	1-126-301-11	ELECT	1uF 20% 50V	C819	1-124-910-11	ELECT	47uF 20% 50V
C608	1-126-300-11	ELECT	0.47uF 20% 50V	C820	1-124-910-11	ELECT	47uF 20% 50V
C610	1-136-163-00	FILM	0.068uF 5% 50V	C821	1-124-920-11	ELECT	330uF 20% 63V
C611	1-136-163-00	FILM	0.068uF 5% 50V	C822	1-126-059-11	ELECT	10uF 20% 50V
C612	1-130-477-00	MYLAR	0.0033uF 5% 50V	C823	1-126-059-11	ELECT	10uF 20% 50V
C613	1-136-161-00	FILM	0.047uF 5% 50V	C824	1-126-059-11	ELECT	10uF 20% 50V
C614	1-126-163-11	ELECT	4.7uF 20% 50V	C830	1-124-910-11	ELECT	47uF 20% 50V
C615	1-126-023-11	ELECT	100uF 20% 16V	< CONNECTOR >			
C617	1-124-034-51	ELECT	33uF 20% 16V	* CN1	1-564-321-00	PIN, CONNECTOR 2P	
C618	1-126-022-11	ELECT	47uF 20% 16V	* CN2	1-535-140-00	BASE POST 22MM (10MM PITCH) 3P	
C619	1-126-301-11	ELECT	1uF 20% 50V	* CN3	1-573-565-11	PIN, CONNECTOR 5P	
C620	1-126-301-11	ELECT	1uF 20% 50V	* CN301	1-566-858-41	SOCKET, CONNECTOR 11P	
C621	1-126-059-11	ELECT	10uF 20% 50V	* CN302	1-564-509-11	PLUG, CONNECTOR 6P	
C622	1-126-301-11	ELECT	1uF 20% 50V	* CN303	1-568-834-11	SOCKET, CONNECTOR 15P	
C630	1-164-019-11	CERAMIC	10PF 0.5PF 50V	CN501	1-568-319-11	SOCKET, CONNECTOR 8P	
C651	1-136-169-00	FILM	0.22uF 5% 50V	CN502	1-568-319-11	SOCKET, CONNECTOR 8P	
C701	1-126-161-11	ELECT	2.2uF 20% 50V	* CN601	1-564-508-11	PLUG, CONNECTOR 5P	
C702	1-164-081-11	CERAMIC	470PF 10% 50V	* CN602	1-564-507-11	PLUG, CONNECTOR 4P	
C703	1-162-286-31	CERAMIC	220PF 10% 50V	* CN702	1-564-518-11	PLUG, CONNECTOR 3P	
C704	1-124-994-11	ELECT	100uF 20% 10V	* CN703	1-564-519-11	PLUG, CONNECTOR 4P	
C706	1-124-572-11	ELECT	100uF 20% 63V	* CN704	1-564-521-11	PLUG, CONNECTOR 6P	
C707	1-124-572-11	ELECT	100uF 20% 63V	* CN705	1-564-509-11	PLUG, CONNECTOR 6P	
C708	1-136-163-00	FILM	0.068uF 5% 50V	CN706	1-564-507-11	PLUG, CONNECTOR 4P	
C709	1-136-163-00	FILM	0.068uF 5% 50V	* CN801	1-566-859-11	SOCKET, CONNECTOR 15P	
C710	1-124-587-11	ELECT	220uF 20% 6.3V				
C711	1-124-587-11	ELECT	220uF 20% 6.3V				
C712	1-124-443-00	ELECT	100uF 20% 10V				

MAIN

POWER AMP

AC SELECT

Ref. No.	Part No.	Description	Remark
< DIODE >			
D401	8-719-000-54	DIODE UZL-6L3	
D502	8-719-987-63	DIODE 1N4148M	
D701	8-719-987-63	DIODE 1N4148M	
D702	8-719-987-63	DIODE 1N4148M	
D703	8-719-987-63	DIODE 1N4148M	
D704	8-719-987-63	DIODE 1N4148M	
D705	8-719-987-63	DIODE 1N4148M	
D751	8-719-987-63	DIODE 1N4148M	
D801	8-719-302-38	DIODE RBV-602-01	
D802	8-719-001-88	DIODE UZL-15L	
D803	8-719-001-88	DIODE UZL-15L	
D804	8-719-987-63	DIODE 1N4148M	
D805	8-719-200-77	DIODE 10E2N	
D806	8-719-200-77	DIODE 10E2N	
D807	8-719-200-77	DIODE 10E2N	
D808	8-719-200-77	DIODE 10E2N	
D809	8-719-987-63	DIODE 1N4148M	
D810	8-719-987-63	DIODE 1N4148M	
D811	8-719-987-63	DIODE 1N4148M	
D812	8-719-200-77	DIODE 10E2N	
D813	8-719-200-77	DIODE 10E2N	
D814	8-719-934-22	DIODE HZS30-2L	
D815	8-719-014-75	DIODE UZP-6. 2B	
D816	8-719-200-02	DIODE 10E2	
D818	8-719-001-88	DIODE UZL-15L	
D819	8-719-001-88	DIODE UZL-15L	
< FUSE >			
△ F1	1-532-259-00	FUSE T1. 6AL	
△ F2	1-532-259-00	FUSE T1. 6AL	
△ F801	1-532-203-00	FUSE T2. 0A 250V	
△ F802	1-532-203-00	FUSE T2. 0A 250V	
< IC >			
IC301	8-759-000-49	IC MC14066BCP	
IC302	8-759-202-61	IC TC4094BP	
IC501	8-759-634-51	IC M5218AP	
IC502	8-759-000-49	IC MC14066BCP	
IC503	8-759-822-26	IC LC7522K	
IC504	8-759-633-78	IC M5289P	
IC505	8-759-634-51	IC M5218AP	
IC554	8-759-633-78	IC M5289P	
IC601	8-759-634-51	IC M5218AP	
IC602	8-759-043-16	IC M51134P	
IC701	8-749-922-95	IC STK4190-MK2	
IC702	8-759-111-68	IC uPC1237HA	
IC801	8-759-604-86	IC M5F7807L	

Ref. No.	Part No.	Description	Remark
IC802	8-759-604-90	IC M5F7907L	
< IC LINK >			
△ ICP801	1-532-843-21	LI NK, IC (PRF 2500)	
△ ICP802	1-532-843-21	LI NK, IC (PRF 2500)	
< JACK >			
J701	1-565-352-41	JACK, PIN 2P (SURROUND SPEAKER)	
< COIL >			
* L701	1-420-872-00	COIL, AIR CORE	
* L751	1-420-872-00	COIL, AIR CORE	
< TRANSISTOR >			
Q301	8-729-900-63	TRANSISTOR DTA124ES	
Q302	8-729-900-63	TRANSISTOR DTA124ES	
Q303	8-729-900-80	TRANSISTOR DTC114ES	
Q304	8-729-900-63	TRANSISTOR DTA124ES	
Q501	8-729-900-63	TRANSISTOR DTA124ES	
Q502	8-729-900-63	TRANSISTOR DTA124ES	
Q503	8-729-900-63	TRANSISTOR DTA124ES	
Q504	8-729-224-62	TRANSISTOR 2SK246-GR	
Q505	8-729-900-80	TRANSISTOR DTC114ES	
Q554	8-729-224-62	TRANSISTOR 2SK246-GR	
Q607	8-729-224-62	TRANSISTOR 2SK246-GR	
Q701	8-729-140-84	TRANSISTOR 2SC1841-PAFAEA	
Q702	8-729-900-63	TRANSISTOR DTA124ES	
Q751	8-729-140-84	TRANSISTOR 2SC1841-PAFAEA	
Q801	8-729-141-83	TRANSISTOR 2SB1094-LK	
< RESISTOR >			
R301	1-249-417-11	CARBON 1K 5% 1/4W	
R302	1-249-417-11	CARBON 1K 5% 1/4W	
R303	1-249-413-11	CARBON 470 5% 1/4W	
R304	1-249-405-11	CARBON 100 5% 1/4W	
R305	1-249-433-11	CARBON 22K 5% 1/4W	
R306	1-249-433-11	CARBON 22K 5% 1/4W	
R307	1-249-429-11	CARBON 10K 5% 1/4W	
R308	1-249-429-11	CARBON 10K 5% 1/4W	
R310	1-249-413-11	CARBON 470 5% 1/4W	
R311	1-249-413-11	CARBON 470 5% 1/4W	
R312	1-249-425-11	CARBON 4.7K 5% 1/4W	
R313	1-249-417-11	CARBON 1K 5% 1/4W	
R351	1-249-417-11	CARBON 1K 5% 1/4W	
R352	1-249-417-11	CARBON 1K 5% 1/4W	
R353	1-249-413-11	CARBON 470 5% 1/4W	
R354	1-249-405-11	CARBON 100 5% 1/4W	
R501	1-247-897-11	CARBON 560K 5% 1/4W	

The components identified by mark △ or dotted line with mark △ are critical for safety. Replace only with part number specified.

MAIN

POWER AMP

AC SELECT

Ref. No.	Part No.	Description	Remark	Ref. No.	Part No.	Description	Remark
R502	1-249-437-11	CARBON	47K 5% 1/4W	R585	1-247-895-00	CARBON	470K 5% 1/4W
R503	1-247-897-11	CARBON	560K 5% 1/4W	R601	1-249-429-11	CARBON	10K 5% 1/4W
R504	1-249-435-11	CARBON	33K 5% 1/4W	R602	1-249-438-11	CARBON	56K 5% 1/4W
R505	1-249-432-11	CARBON	18K 5% 1/4W	R603	1-247-848-11	CARBON	5. 1K 5% 1/4W
R506	1-249-429-11	CARBON	10K 5% 1/4W	R604	1-249-429-11	CARBON	10K 5% 1/4W
R507	1-247-887-00	CARBON	220K 5% 1/4W	R606	1-249-429-11	CARBON	10K 5% 1/4W
R508	1-249-427-11	CARBON	6. 8K 5% 1/4W	R607	1-249-417-11	CARBON	1K 5% 1/4W
R509	1-249-427-11	CARBON	6. 8K 5% 1/4W	R608	1-249-438-11	CARBON	56K 5% 1/4W
R510	1-247-903-00	CARBON	1M 5% 1/4W	R609	1-249-441-11	CARBON	100K 5% 1/4W
R511	1-247-903-00	CARBON	1M 5% 1/4W	R610	1-247-898-11	CARBON	620K 5% 1/4W
R512	1-247-903-00	CARBON	1M 5% 1/4W	R611	1-247-887-00	CARBON	220K 5% 1/4W
R513	1-247-903-00	CARBON	1M 5% 1/4W	R612	1-247-887-00	CARBON	220K 5% 1/4W
R514	1-247-903-00	CARBON	1M 5% 1/4W	R613	1-247-887-00	CARBON	220K 5% 1/4W
R515	1-247-903-00	CARBON	1M 5% 1/4W	R614	1-249-435-11	CARBON	33K 5% 1/4W
R516	1-247-903-00	CARBON	1M 5% 1/4W	R641	1-249-429-11	CARBON	10K 5% 1/4W
R517	1-249-408-11	CARBON	180 5% 1/4W	R643	1-249-441-11	CARBON	100K 5% 1/4W
R518	1-249-417-11	CARBON	1K 5% 1/4W	R644	1-247-887-00	CARBON	220K 5% 1/4W
R519	1-249-429-11	CARBON	10K 5% 1/4W	R651	1-249-429-11	CARBON	10K 5% 1/4W
R520	1-249-435-11	CARBON	33K 5% 1/4W	R701	1-249-417-11	CARBON	1K 5% 1/4W
R521	1-249-433-11	CARBON	22K 5% 1/4W	R702	1-249-438-11	CARBON	56K 5% 1/4W
R522	1-249-433-11	CARBON	22K 5% 1/4W	R703	1-249-412-11	CARBON	390 5% 1/4W
R523	1-249-433-11	CARBON	22K 5% 1/4W	R704	1-249-438-11	CARBON	56K 5% 1/4W
R525	1-249-429-11	CARBON	10K 5% 1/4W	△ R705	1-212-881-11	FUSIBLE	100 5% 1/4W F
R529	1-249-429-11	CARBON	10K 5% 1/4W	△ R706	1-212-881-11	FUSIBLE	100 5% 1/4W F
R530	1-249-413-11	CARBON	470 5% 1/4W	R707	1-249-417-11	CARBON	1K 5% 1/4W
R531	1-249-429-11	CARBON	10K 5% 1/4W	R708	1-249-430-11	CARBON	12K 5% 1/4W
R532	1-249-429-11	CARBON	10K 5% 1/4W	R709	1-249-441-11	CARBON	100K 5% 1/4W
R533	1-249-429-11	CARBON	10K 5% 1/4W	△ R710	1-217-156-00	RES, METAL PLATE 0.22	5W F
R534	1-249-427-11	CARBON	6. 8K 5% 1/4W	R711	1-247-727-11	CARBON	10 5% 1/2W
R535	1-247-895-00	CARBON	470K 5% 1/4W	R712	1-247-727-11	CARBON	10 5% 1/2W
R537	1-249-441-11	CARBON	100K 5% 1/4W	R713	1-249-438-11	CARBON	56K 5% 1/4W
R551	1-247-897-11	CARBON	560K 5% 1/4W	R714	1-249-429-11	CARBON	10K 5% 1/4W
R552	1-249-437-11	CARBON	47K 5% 1/4W	R715	1-249-441-11	CARBON	100K 5% 1/4W
R553	1-247-897-11	CARBON	560K 5% 1/4W	R716	1-249-417-11	CARBON	1K 5% 1/4W
R556	1-249-429-11	CARBON	10K 5% 1/4W	R718	1-249-437-11	CARBON	47K 5% 1/4W
R557	1-247-887-00	CARBON	220K 5% 1/4W	R719	1-249-487-11	CARBON	15K 5% 1/2W
R558	1-249-427-11	CARBON	6. 8K 5% 1/4W	△ R720	1-216-457-00	METAL OXIDE	1. 2K 5% 2W F
R559	1-249-427-11	CARBON	6. 8K 5% 1/4W	R722	1-247-903-00	CARBON	1M 5% 1/4W
R560	1-247-903-00	CARBON	1M 5% 1/4W	R723	1-249-433-11	CARBON	22K 5% 1/4W
R561	1-247-903-00	CARBON	1M 5% 1/4W	R724	1-249-428-11	CARBON	8. 2K 5% 1/4W
R562	1-247-903-00	CARBON	1M 5% 1/4W	R751	1-249-417-11	CARBON	1K 5% 1/4W
R563	1-247-903-00	CARBON	1M 5% 1/4W	R752	1-249-438-11	CARBON	56K 5% 1/4W
R564	1-247-903-00	CARBON	1M 5% 1/4W	R753	1-249-412-11	CARBON	390 5% 1/4W
R565	1-247-903-00	CARBON	1M 5% 1/4W	R754	1-249-438-11	CARBON	56K 5% 1/4W
R566	1-247-903-00	CARBON	1M 5% 1/4W	R757	1-249-417-11	CARBON	1K 5% 1/4W
R569	1-249-429-11	CARBON	10K 5% 1/4W	R758	1-249-430-11	CARBON	12K 5% 1/4W
R570	1-249-435-11	CARBON	33K 5% 1/4W	R759	1-249-441-11	CARBON	100K 5% 1/4W
R575	1-249-429-11	CARBON	10K 5% 1/4W	△ R760	1-217-156-00	RES, METAL PLATE 0.22	5W F
R584	1-249-427-11	CARBON	6. 8K 5% 1/4W	R761	1-247-727-11	CARBON	10 5% 1/2W

The components identified by mark △ or dotted line with mark △ are critical for safety.
Replace only with part number specified.

MAIN

POWER AMP

AC SELECT

MIC

PANEL

Ref. No.	Part No.	Description	Remark		
R762	1-247-727-11	CARBON	10	5%	1/2W
R763	1-249-437-11	CARBON	47K	5%	1/4W
R773	1-249-433-11	CARBON	22K	5%	1/4W
△ R801	1-216-481-11	METAL OXIDE	1.2K	5%	3W F
△ R802	1-216-481-11	METAL OXIDE	1.2K	5%	3W F
R803	1-249-428-11	CARBON	8.2K	5%	1/4W
R804	1-249-428-11	CARBON	8.2K	5%	1/4W
R805	1-247-761-11	CARBON	5.6K	5%	1/2W
R806	1-249-421-11	CARBON	2.2K	5%	1/4W
< RELAY >					
RY701	1-515-765-11	RELAY			
< SWITCH >					
△ S1	1-554-920-51	SWITCH, PUSH (AC POWER) (1 KEY)			
< TERMINAL >					
TM701	1-537-240-11	TERMINAL BOARD (CHECKER PIN)			
< VOLTAGE SELECTOR >					
△ VS1	1-572-009-11	SELECTOR, VOLTAGE (VOLTAGE SELECTOR)			

*	1-643-545-11	MIC BOARD			

< CAPACITOR >					
C401	1-106-343-00	MYLAR	1000PF	5%	200V
C402	1-136-167-00	FILM	0.15uF	5%	50V
C403	1-162-219-31	CERAMIC	68PF	5%	50V
C404	1-162-286-31	CERAMIC	220PF	10%	50V
C405	1-126-163-11	ELECT	4.7uF	20%	50V
C406	1-126-163-11	ELECT	4.7uF	20%	50V
C407	1-162-286-31	CERAMIC	220PF	10%	50V
C408	1-126-163-11	ELECT	4.7uF	20%	50V
C409	1-124-034-51	ELECT	33uF	20%	16V
C410	1-124-034-51	ELECT	33uF	20%	16V
< CONNECTOR >					
* CN401	1-564-509-11	PLUG, CONNECTOR 6P			
< IC >					
IC401	8-759-636-73	IC M5218AL-22			
< JACK >					
J401	1-507-854-00	JACK, PHONE (MIC)			

Ref. No.	Part No.	Description	Remark		
< RESISTOR >					
R401	1-249-441-11	CARBON	100K	5%	1/4W
R402	1-249-429-11	CARBON	10K	5%	1/4W
R403	1-249-417-11	CARBON	1K	5%	1/4W
R404	1-249-440-11	CARBON	82K	5%	1/4W
R405	1-249-429-11	CARBON	10K	5%	1/4W
R406	1-249-427-11	CARBON	6.8K	5%	1/4W
R407	1-249-440-11	CARBON	82K	5%	1/4W
R408	1-249-409-11	CARBON	220	5%	1/4W
R409	1-249-429-11	CARBON	10K	5%	1/4W
R410	1-249-405-11	CARBON	100	5%	1/4W
R411	1-249-405-11	CARBON	100	5%	1/4W
R412	1-249-405-11	CARBON	100	5%	1/4W
R413	1-249-405-11	CARBON	100	5%	1/4W
< VARIABLE RESISTOR >					
RV401	1-241-317-11	RES, VAR, CARBON 50K (MIC LEVEL)			

*	A-4347-262-A	PANEL BOARD, COMPLETE			

*	4-934-853-01	CUSHION			
*	4-950-648-01	HOLDER (FU), LED			
*	4-950-649-01	HOLDER, FL TUBE			
< CAPACITOR >					
C623	1-126-059-11	ELECT	10uF	20%	50V
C624	1-126-059-11	ELECT	10uF	20%	50V
C625	1-124-034-51	ELECT	33uF	20%	16V
C626	1-126-059-11	ELECT	10uF	20%	50V
C627	1-126-300-11	ELECT	0.47uF	20%	50V
C631	1-162-207-31	CERAMIC	22PF	5%	50V
C673	1-126-059-11	ELECT	10uF	20%	50V
C674	1-126-059-11	ELECT	10uF	20%	50V
C675	1-124-034-51	ELECT	33uF	20%	16V
C676	1-126-059-11	ELECT	10uF	20%	50V
C681	1-162-207-31	CERAMIC	22PF	5%	50V
C901	1-124-473-11	ELECT	1000uF	20%	10V
C902	1-125-486-11	DOUBLE LAYERS	0.22F		5.5V
C903	1-124-994-11	ELECT	100uF	20%	10V
C904	1-136-153-00	FILM	0.01uF	5%	50V
C905	1-136-153-00	FILM	0.01uF	5%	50V
C906	1-136-153-00	FILM	0.01uF	5%	50V
C907	1-136-159-00	FILM	0.033uF	5%	50V
C908	1-164-159-11	CERAMIC	0.1uF		50V
C909	1-164-159-11	CERAMIC	0.1uF		50V
C910	1-164-070-11	CERAMIC	100PF	5%	50V
C911	1-136-165-00	FILM	0.1uF	5%	50V

The components identified by mark △ or dotted line with mark △ are critical for safety. Replace only with part number specified.

PANEL

Ref. No.	Part No.	Description	Remark	Ref. No.	Part No.	Description	Remark
C912	1-136-165-00	FILM	0. 1uF 5% 50V	D906	8-719-987-63	DIODE 1N4148M	
C913	1-136-165-00	FILM	0. 1uF 5% 50V	D907	8-719-987-63	DIODE 1N4148M	
C914	1-126-059-11	ELECT	10uF 20% 50V	D908	8-719-987-63	DIODE 1N4148M	
C915	1-136-153-00	FILM	0. 01uF 5% 50V	D909	8-719-987-63	DIODE 1N4148M	
C916	1-164-081-11	CERAMIC	470PF 10% 50V	D911	8-719-987-63	DIODE 1N4148M	
C917	1-164-081-11	CERAMIC	470PF 10% 50V	D912	8-719-987-63	DIODE 1N4148M	
C918	1-164-159-11	CERAMIC	0. 1uF 50V	D915	8-719-010-28	DIODE UZ-4. 3BSA	
C919	1-164-159-11	CERAMIC	0. 1uF 50V	D916	8-719-313-69	LED SEL3210S-CD (KARAOKE PON)	
C920	1-164-159-11	CERAMIC	0. 1uF 50V	D917	8-719-987-63	DIODE 1N4148M	
C921	1-162-294-31	CERAMIC	0. 001uF 10% 50V	D918	8-719-313-69	LED SEL3210S-CD (PROGRAM FUNCTION)	
C922	1-164-159-11	CERAMIC	0. 1uF 50V	D919	8-719-313-69	LED SEL3210S-CD (EFFECT)	
C923	1-126-564-91	ELECT	10uF 20% 16V	D921	8-719-313-69	LED SEL3210S-CD (BASS SYNTH)	
C924	1-164-159-11	CERAMIC	0. 1uF 50V	D923	8-719-313-69	LED SEL3210S-CD (CD DIRECT)	
C925	1-126-564-91	ELECT	10uF 20% 16V	D924	8-719-987-63	DIODE 1N4148M	
C926	1-126-564-91	ELECT	10uF 20% 16V	D925	8-719-301-44	LED SEL2410E-D (VIDEO 1)	
C927	1-161-374-11	CERAMIC	0. 0015uF 20% 50V	D926	8-719-987-63	DIODE 1N4148M	
C928	1-164-081-11	CERAMIC	470PF 10% 50V	D927	8-719-301-44	LED SEL2410E-D (VISUAL INPUT)	
C929	1-164-081-11	CERAMIC	470PF 10% 50V	D928	8-719-987-63	DIODE 1N4148M	
C930	1-164-081-11	CERAMIC	470PF 10% 50V	D929	8-719-000-60	DIODE UZL-6M2	
C931	1-164-081-11	CERAMIC	470PF 10% 50V	D930	8-719-987-63	DIODE 1N4148M	
C932	1-164-081-11	CERAMIC	470PF 10% 50V	D931	8-719-987-63	DIODE 1N4148M	
C933	1-126-564-91	ELECT	10uF 20% 16V	D932	8-719-987-63	DIODE 1N4148M	
C934	1-164-159-11	CERAMIC	0. 1uF 50V	D933	8-719-987-63	DIODE 1N4148M	
C936	1-164-159-11	CERAMIC	0. 1uF 50V	D934	8-719-987-63	DIODE 1N4148M	
C937	1-126-162-11	ELECT	3. 3uF 20% 50V	D935	8-719-987-63	DIODE 1N4148M	
C938	1-126-101-11	ELECT	100uF 20% 16V	D936	8-719-987-63	DIODE 1N4148M	
		< VIBRATOR >		D937	8-719-987-63	DIODE 1N4148M	
CF901	1-577-101-11	VIBRATOR, CERAMIC		D938	8-719-987-63	DIODE 1N4148M	
		< CONNECTOR >		D939	8-719-987-63	DIODE 1N4148M	
* CN603	1-564-508-11	PLUG, CONNECTOR 5P		D940	8-719-987-63	DIODE 1N4148M	
* CN604	1-564-507-11	PLUG, CONNECTOR 4P		D941	8-719-301-39	LED SEL2210S-D (PHONO)	
* CN606	1-568-322-11	PLUG, CONNECTOR 10P		D942	8-719-301-39	LED SEL2210S-D (TUNER)	
* CN901	1-568-834-11	SOCKET, CONNECTOR 15P		D943	8-719-301-39	LED SEL2210S-D (CD)	
		< COMPOSITION CIRCUIT BLOCK >		D944	8-719-301-39	LED SEL2210S-D (TAPE)	
CP901	1-232-882-11	COMPOSITION CIRCUIT BLOCK		D945	8-719-301-39	LED SEL2210S-D (VIDEO 2)	
CP902	1-232-882-11	COMPOSITION CIRCUIT BLOCK		D946	8-719-313-69	LED SEL3210S-CD (EQ)	
CP903	1-232-882-11	COMPOSITION CIRCUIT BLOCK		D947	8-719-313-69	LED SEL3210S-CD (PERSONAL FILE 1-5)	
		< DIODE >		D948	8-719-313-69	LED SEL3210S-CD (SELECT 10)	
D601	8-719-987-63	DIODE 1N4148M		D949	8-719-313-69	LED SEL3210S-CD (MEMORY)	
D901	8-719-000-81	DIODE UZL-7L3		D950	8-719-301-39	LED SEL2210S-D (DAT)	
D902	8-719-987-63	DIODE 1N4148M				< FILTER >	
D903	8-719-200-02	DIODE 10E2		FL901	1-519-737-21	INDICATOR TUBE, FLUORESCENT	
D904	8-719-200-02	DIODE 10E2				< IC >	
D905	8-719-987-63	DIODE 1N4148M		IC603	8-759-634-50	IC M5218AL	
				IC604	8-759-801-01	IC LC4966	
				IC901	8-759-060-25	IC uPD75208CW-B31	
				IC902	8-759-635-63	IC M51943BSL	

PANEL

Ref. No.	Part No.	Description	Remark	Ref. No.	Part No.	Description	Remark
IC903	8-759-987-16	IC LM393P		R620	1-249-405-11	CARBON 100 5%	1/4W
IC905	8-759-991-11	IC XR1091DCP		R621	1-249-417-11	CARBON 1K 5%	1/4W
IC906	8-759-822-27	IC LC7565K		R622	1-249-429-11	CARBON 10K 5%	1/4W
< COIL >				R623	1-249-441-11	CARBON 100K 5%	1/4W
L901	1-408-080-00	INDUCTOR 100uH		R624	1-249-435-11	CARBON 33K 5%	1/4W
L902	1-408-121-00	INDUCTOR 22uH		R625	1-249-426-11	CARBON 5.6K 5%	1/4W
L903	1-408-121-00	INDUCTOR 22uH		R626	1-249-428-11	CARBON 8.2K 5%	1/4W
< TRANSISTOR >				R627	1-249-433-11	CARBON 22K 5%	1/4W
Q601	8-729-224-62	TRANSISTOR 2SK246-GR		R628	1-249-441-11	CARBON 100K 5%	1/4W
Q602	8-729-141-26	TRANSISTOR 2SC3622A-LK		R640	1-249-433-11	CARBON 22K 5%	1/4W
Q603	8-729-900-63	TRANSISTOR DTA124ES		R642	1-249-425-11	CARBON 4.7K 5%	1/4W
Q604	8-729-900-63	TRANSISTOR DTA124ES		R650	1-249-417-11	CARBON 1K 5%	1/4W
Q605	8-729-119-76	TRANSISTOR 2SA1175-HFE		R665	1-247-887-00	CARBON 220K 5%	1/4W
Q606	8-729-900-80	TRANSISTOR DTC114ES		R666	1-249-425-11	CARBON 4.7K 5%	1/4W
Q651	8-729-224-62	TRANSISTOR 2SK246-GR		R667	1-247-895-00	CARBON 470K 5%	1/4W
Q652	8-729-141-26	TRANSISTOR 2SC3622A-LK		R668	1-249-428-11	CARBON 8.2K 5%	1/4W
Q901	8-729-620-05	TRANSISTOR 2SC2603-EF		R669	1-249-425-11	CARBON 4.7K 5%	1/4W
Q902	8-729-620-05	TRANSISTOR 2SC2603-EF		R670	1-249-405-11	CARBON 100 5%	1/4W
Q903	8-729-620-05	TRANSISTOR 2SC2603-EF		R671	1-249-417-11	CARBON 1K 5%	1/4W
Q904	8-729-900-80	TRANSISTOR DTC114ES		R674	1-249-435-11	CARBON 33K 5%	1/4W
Q905	8-729-900-80	TRANSISTOR DTC114ES		R675	1-249-426-11	CARBON 5.6K 5%	1/4W
Q906	8-729-900-80	TRANSISTOR DTC114ES		R676	1-249-428-11	CARBON 8.2K 5%	1/4W
Q907	8-729-900-80	TRANSISTOR DTC114ES		R692	1-249-425-11	CARBON 4.7K 5%	1/4W
Q908	8-729-900-80	TRANSISTOR DTC114ES		R901	1-249-429-11	CARBON 10K 5%	1/4W
Q909	8-729-900-80	TRANSISTOR DTC114ES		R902	1-249-433-11	CARBON 22K 5%	1/4W
Q910	8-729-900-80	TRANSISTOR DTC114ES		R903	1-249-433-11	CARBON 22K 5%	1/4W
Q911	8-729-900-80	TRANSISTOR DTC114ES		R904	1-249-433-11	CARBON 22K 5%	1/4W
Q912	8-729-900-80	TRANSISTOR DTC114ES		R905	1-249-441-11	CARBON 100K 5%	1/4W
Q913	8-729-900-80	TRANSISTOR DTC114ES		R906	1-249-417-11	CARBON 1K 5%	1/4W
Q914	8-729-900-80	TRANSISTOR DTC114ES		R907	1-249-441-11	CARBON 100K 5%	1/4W
Q915	8-729-620-05	TRANSISTOR 2SC2603-EF		R908	1-249-428-11	CARBON 8.2K 5%	1/4W
Q916	8-729-620-05	TRANSISTOR 2SC2603-EF		R909	1-249-428-11	CARBON 8.2K 5%	1/4W
Q917	8-729-620-05	TRANSISTOR 2SC2603-EF		R910	1-249-417-11	CARBON 1K 5%	1/4W
Q918	8-729-620-05	TRANSISTOR 2SC2603-EF		R911	1-249-425-11	CARBON 4.7K 5%	1/4W
Q919	8-729-620-05	TRANSISTOR 2SC2603-EF		R912	1-249-425-11	CARBON 4.7K 5%	1/4W
Q920	8-729-620-05	TRANSISTOR 2SC2603-EF		R913	1-249-425-11	CARBON 4.7K 5%	1/4W
Q921	8-729-900-80	TRANSISTOR DTC114ES		R915	1-249-429-11	CARBON 10K 5%	1/4W
Q922	8-729-900-80	TRANSISTOR DTC114ES		R916	1-249-429-11	CARBON 10K 5%	1/4W
Q923	8-729-900-80	TRANSISTOR DTC114ES		R917	1-249-429-11	CARBON 10K 5%	1/4W
Q924	8-729-900-63	TRANSISTOR DTA124ES		R918	1-249-433-11	CARBON 22K 5%	1/4W
< RESISTOR >				R919	1-249-441-11	CARBON 100K 5%	1/4W
R615	1-247-887-00	CARBON 220K 5%	1/4W	R920	1-249-441-11	CARBON 100K 5%	1/4W
R616	1-249-425-11	CARBON 4.7K 5%	1/4W	R921	1-249-441-11	CARBON 100K 5%	1/4W
R617	1-247-895-00	CARBON 470K 5%	1/4W	R922	1-249-441-11	CARBON 100K 5%	1/4W
R618	1-249-428-11	CARBON 8.2K 5%	1/4W	R923	1-249-417-11	CARBON 1K 5%	1/4W
R619	1-249-425-11	CARBON 4.7K 5%	1/4W	R924	1-249-417-11	CARBON 1K 5%	1/4W
				R925	1-249-417-11	CARBON 1K 5%	1/4W
				R926	1-249-417-11	CARBON 1K 5%	1/4W
				R927	1-249-417-11	CARBON 1K 5%	1/4W

PANEL

PIN JACK

Ref. No.	Part No.	Description	Remark
R928	1-249-417-11	CARBON	1K 5% 1/4W
R929	1-249-417-11	CARBON	1K 5% 1/4W
R930	1-249-441-11	CARBON	100K 5% 1/4W
R931	1-249-441-11	CARBON	100K 5% 1/4W
R932	1-249-441-11	CARBON	100K 5% 1/4W
R933	1-249-417-11	CARBON	1K 5% 1/4W
R934	1-249-417-11	CARBON	1K 5% 1/4W
R935	1-249-417-11	CARBON	1K 5% 1/4W
R936	1-249-417-11	CARBON	1K 5% 1/4W
R937	1-249-433-11	CARBON	22K 5% 1/4W
R938	1-249-433-11	CARBON	22K 5% 1/4W
R939	1-249-405-11	CARBON	100 5% 1/4W
R940	1-249-439-11	CARBON	68K 5% 1/4W
R941	1-249-441-11	CARBON	100K 5% 1/4W
R942	1-249-441-11	CARBON	100K 5% 1/4W
R943	1-249-441-11	CARBON	100K 5% 1/4W
R944	1-249-412-11	CARBON	390 5% 1/4W
R945	1-249-413-11	CARBON	470 5% 1/4W
R946	1-249-411-11	CARBON	330 5% 1/4W
R947	1-249-411-11	CARBON	330 5% 1/4W
R948	1-249-411-11	CARBON	330 5% 1/4W
R949	1-249-413-11	CARBON	470 5% 1/4W
R950	1-249-410-11	CARBON	270 5% 1/4W
R951	1-249-411-11	CARBON	330 5% 1/4W
R952	1-249-393-11	CARBON	10 5% 1/4W
R953	1-249-419-11	CARBON	1.5K 5% 1/4W
R954	1-249-441-11	CARBON	100K 5% 1/4W
R955	1-249-409-11	CARBON	220 5% 1/4W
R956	1-247-891-00	CARBON	330K 5% 1/4W
R957	1-249-432-11	CARBON	18K 5% 1/4W
R958	1-247-891-00	CARBON	330K 5% 1/4W
R961	1-249-441-11	CARBON	100K 5% 1/4W
R962	1-249-441-11	CARBON	100K 5% 1/4W
R963	1-249-441-11	CARBON	100K 5% 1/4W
R964	1-249-441-11	CARBON	100K 5% 1/4W
R965	1-249-441-11	CARBON	100K 5% 1/4W
R966	1-249-396-11	CARBON	18 5% 1/6W
R967	1-249-396-11	CARBON	18 5% 1/6W
R968	1-249-396-11	CARBON	18 5% 1/6W
R969	1-249-396-11	CARBON	18 5% 1/6W
R970	1-249-396-11	CARBON	18 5% 1/6W
< VARIABLE RESISTOR >			
RV601	1-241-879-11	RES. VAR. CARBON 20K (BASS SYNTHESIZER LEVEL)	
RV602	1-238-459-11	RES. VAR. CARBON 100K (BALANCE)	

Ref. No.	Part No.	Description	Remark
< SWITCH >			
S901	1-554-303-21	SWITCH, TACTILE (PROGRAM FUNCTION)	
S902	1-554-303-21	SWITCH, TACTILE (EQ)	
S903	1-554-303-21	SWITCH, TACTILE (PHONO)	
S904	1-554-303-21	SWITCH, TACTILE (▼)	
S905	1-554-303-21	SWITCH, TACTILE (▶)	
S906	1-554-303-21	SWITCH, TACTILE (PERSONAL FILE 1-5)	
S907	1-554-303-21	SWITCH, TACTILE (TUNER)	
S908	1-554-303-21	SWITCH, TACTILE (SURROUND LEVEL)	
S909	1-554-303-21	SWITCH, TACTILE (CD DIRECT)	
S910	1-554-303-21	SWITCH, TACTILE (SELECT 10)	
S911	1-554-303-21	SWITCH, TACTILE (CD)	
S912	1-554-303-21	SWITCH, TACTILE (SURROUND MODE)	
S913	1-554-303-21	SWITCH, TACTILE (TAPE)	
S914	1-554-303-21	SWITCH, TACTILE (◀)	
S915	1-554-303-21	SWITCH, TACTILE (REVERSE)	
S916	1-554-303-21	SWITCH, TACTILE (MEMORY)	
S917	1-554-303-21	SWITCH, TACTILE (FLAT)	
S918	1-554-303-21	SWITCH, TACTILE (▲)	
S919	1-554-303-21	SWITCH, TACTILE (VIDEO 2)	
S920	1-554-303-21	SWITCH, TACTILE (VIDEO 1)	
S921	1-554-303-21	SWITCH, TACTILE (DISPLAY)	
S922	1-554-303-21	SWITCH, TACTILE (EFFECT)	
S923	1-554-303-21	SWITCH, TACTILE (BASS SYNTH)	
S924	1-554-303-21	SWITCH, TACTILE (KARAOKE PON)	

*	A-4347-264-A	PIN JACK BOARD, COMPLETE	

< CAPACITOR >			
C102	1-126-161-11	ELECT	2.2uF 20% 50V
C103	1-162-282-31	CERAMIC	100PF 10% 50V
C104	1-162-219-31	CERAMIC	68PF 5% 50V
C105	1-126-022-11	ELECT	47uF 20% 10V
C106	1-130-480-00	MYLAR	0.0056uF 5% 50V
C107	1-106-347-00	MYLAR	1500PF 5% 200V
C108	1-124-464-11	ELECT	0.22uF 20% 50V
C109	1-124-034-51	ELECT	33uF 20% 16V
C111	1-126-233-11	ELECT	22uF 20% 50V
C113	1-126-233-11	ELECT	22uF 20% 50V
C116	1-126-233-11	ELECT	22uF 20% 50V
C117	1-124-034-51	ELECT	33uF 20% 16V
C118	1-124-034-51	ELECT	33uF 20% 16V
C152	1-126-161-11	ELECT	2.2uF 20% 50V
C153	1-162-282-31	CERAMIC	100PF 10% 50V
C154	1-162-219-31	CERAMIC	68PF 5% 50V
C155	1-126-022-11	ELECT	47uF 20% 10V
C156	1-130-480-00	MYLAR	0.0056uF 5% 50V

PIN JACK

Ref. No.	Part No.	Description	Remark
C157	1-106-347-00	MYLAR 1500PF	5% 200V
C158	1-124-464-11	ELECT 0.22uF	20% 50V
C159	1-124-034-51	ELECT 33uF	20% 16V
C161	1-126-233-11	ELECT 22uF	20% 50V
C163	1-126-233-11	ELECT 22uF	20% 50V
C166	1-126-233-11	ELECT 22uF	20% 50V
C167	1-124-034-51	ELECT 33uF	20% 16V
C168	1-124-034-51	ELECT 33uF	20% 16V
C201	1-126-059-11	ELECT 10uF	20% 50V
C202	1-124-471-00	ELECT 1000uF	20% 6.3V
C203	1-126-059-11	ELECT 10uF	20% 50V
C204	1-124-471-00	ELECT 1000uF	20% 6.3V
C205	1-161-379-00	CERAMIC 0.01uF	20% 25V
C206	1-124-997-11	ELECT 470uF	20% 10V

< CONNECTOR >

* CN101	1-568-320-11	PLUG, CONNECTOR 8P	
* CN102	1-568-320-11	PLUG, CONNECTOR 8P	

< DIODE >

D101	8-719-987-63	DIODE 1N4148M	
D102	8-719-987-63	DIODE 1N4148M	
D201	8-719-987-63	DIODE 1N4148M	

< IC >

IC101	8-759-636-73	IC M5218AL-22	
IC102	8-759-000-48	IC MC14052BCP	
IC103	8-759-000-49	IC MC14066BCP	
IC201	8-759-514-76	IC MM1031XS	

< JACK >

* J101	1-569-812-11	JACK, PIN 6P (PHONO/CD/VIDEO 2)	
J102	1-565-304-11	JACK, PIN 4P (VIDEO 1 IN/OUT)	
J201	1-565-934-11	JACK, PIN 2P (VIDEO 2 IN/1 OUT)	
J202	1-565-934-11	JACK, PIN 2P (VIDEO 1/DAT IN /MONITOR OUT)	

< COIL >

L201	1-408-080-00	INDUCTOR 100uH	
------	--------------	----------------	--

< TRANSISTOR >

Q101	8-729-900-63	TRANSISTOR DTA124ES	
Q201	8-729-119-77	TRANSISTOR 2SA1175-FEK	
Q202	8-729-900-63	TRANSISTOR DTA124ES	
Q203	8-729-119-77	TRANSISTOR 2SA1175-FEK	
Q204	8-729-900-80	TRANSISTOR DTC114ES	
Q205	8-729-620-05	TRANSISTOR 2SC2603-EF	
Q206	8-729-900-63	TRANSISTOR DTA124ES	

Ref. No.	Part No.	Description	Remark
< RESISTOR >			
R101	1-249-417-11	CARBON 1K	5% 1/4W
R102	1-249-441-11	CARBON 100K	5% 1/4W
R103	1-249-417-11	CARBON 1K	5% 1/4W
R104	1-249-441-11	CARBON 100K	5% 1/4W
R105	1-249-416-11	CARBON 820	5% 1/4W
R106	1-247-897-11	CARBON 560K	5% 1/4W
R107	1-249-437-11	CARBON 47K	5% 1/4W
R108	1-249-417-11	CARBON 1K	5% 1/4W
R109	1-249-441-11	CARBON 100K	5% 1/4W
R110	1-249-405-11	CARBON 100	5% 1/4W
R111	1-249-405-11	CARBON 100	5% 1/4W
R112	1-249-423-11	CARBON 3.3K	5% 1/4W
R113	1-249-429-11	CARBON 10K	5% 1/4W
R114	1-249-417-11	CARBON 1K	5% 1/4W
R115	1-247-903-00	CARBON 1M	5% 1/4W
R116	1-249-413-11	CARBON 470	5% 1/4W
R117	1-247-903-00	CARBON 1M	5% 1/4W
R118	1-249-417-11	CARBON 1K	5% 1/4W
R119	1-247-903-00	CARBON 1M	5% 1/4W
R120	1-249-405-11	CARBON 100	5% 1/4W
R121	1-249-405-11	CARBON 100	5% 1/4W
R122	1-249-417-11	CARBON 1K	5% 1/4W
R123	1-249-417-11	CARBON 1K	5% 1/4W
R124	1-249-417-11	CARBON 1K	5% 1/4W
R125	1-249-417-11	CARBON 1K	5% 1/4W
R126	1-249-433-11	CARBON 22K	5% 1/4W
R151	1-249-417-11	CARBON 1K	5% 1/4W
R152	1-249-441-11	CARBON 100K	5% 1/4W
R153	1-249-417-11	CARBON 1K	5% 1/4W
R154	1-249-441-11	CARBON 100K	5% 1/4W
R155	1-249-416-11	CARBON 820	5% 1/4W
R156	1-247-897-11	CARBON 560K	5% 1/4W
R157	1-249-437-11	CARBON 47K	5% 1/4W
R158	1-249-417-11	CARBON 1K	5% 1/4W
R159	1-249-441-11	CARBON 100K	5% 1/4W
R160	1-249-405-11	CARBON 100	5% 1/4W
R161	1-249-405-11	CARBON 100	5% 1/4W
R162	1-249-423-11	CARBON 3.3K	5% 1/4W
R163	1-249-429-11	CARBON 10K	5% 1/4W
R164	1-249-417-11	CARBON 1K	5% 1/4W
R165	1-247-903-00	CARBON 1M	5% 1/4W
R166	1-249-413-11	CARBON 470	5% 1/4W
R167	1-247-903-00	CARBON 1M	5% 1/4W
R168	1-249-417-11	CARBON 1K	5% 1/4W
R169	1-247-903-00	CARBON 1M	5% 1/4W
R170	1-249-405-11	CARBON 100	5% 1/4W
R171	1-249-405-11	CARBON 100	5% 1/4W

PIN JACK

VOL

Ref. No.	Part No.	Description	Remark		
R201	1-247-804-11	CARBON	75	5%	1/4W
R202	1-249-403-11	CARBON	68	5%	1/4W
R203	1-249-429-11	CARBON	10K	5%	1/4W
R204	1-247-804-11	CARBON	75	5%	1/4W
R205	1-249-403-11	CARBON	68	5%	1/4W
R206	1-249-429-11	CARBON	10K	5%	1/4W
R207	1-249-408-11	CARBON	180	5%	1/4W
R208	1-249-408-11	CARBON	180	5%	1/4W
R209	1-249-408-11	CARBON	180	5%	1/4W
R210	1-249-433-11	CARBON	22K	5%	1/4W
R211	1-249-426-11	CARBON	5.6K	5%	1/4W
R212	1-249-433-11	CARBON	22K	5%	1/4W
R213	1-249-408-11	CARBON	180	5%	1/4W
R214	1-249-417-11	CARBON	1K	5%	1/4W

*	1-643-547-11	VOL BOARD	*****		
< CAPACITOR >					
C628	1-136-165-00	FILM	0.1uF	5%	50V
C916	1-124-443-00	ELECT	100uF	20%	10V
C917	1-124-472-11	ELECT	470uF	20%	10V
C935	1-124-443-00	ELECT	100uF	20%	10V
< CONNECTOR >					
* CN605	1-564-506-11	PLUG, CONNECTOR 3P			
CN607	1-568-321-11	SOCKET, CONNECTOR 10P			
< DIODE >					
D910	8-719-010-32	DIODE UZ-4.7BSA			
D913	8-719-200-02	DIODE 10E2			
D914	8-719-200-02	DIODE 10E2			
< IC >					
IC904	8-759-820-62	IC LB1639			
< RESISTOR >					
R914	1-249-405-11	CARBON	100	5%	1/4W
< VARIABLE RESISTOR >					
RV603	1-238-708-21	RES, VAR, CARBON 10K/100K/100K (VOLUME)			

MISCELLANEOUS					

14	1-690-095-11	WIRE, FLAT TYPE (15 CORE)			
⚠ 58	1-575-651-11	CORD, POWER (EA)			
⚠ 58	1-575-656-11	CORD, POWER (E)			

Ref. No.	Part No.	Description	Remark
⚠ 58	1-690-056-11	CORD, POWER (AUS)	
⚠ F1	1-532-259-00	FUSE (T1.6A)	
⚠ F2	1-532-259-00	FUSE (T1.6A)	
⚠ F801	1-532-203-00	FUSE (T2.0A)	
⚠ F802	1-532-203-00	FUSE (T2.0A)	
⚠ T901	1-450-871-11	TRANSFORMER, POWER	

ACCESSORIES & PACKING MATERIALS			

	3-703-710-41	STICKER, SONY SYMBOL (12)	
	4-920-940-01	SHEET (A), PROTECTION	
*	4-934-859-01	CUSHION	

HARDWARE LIST

- #1 7-685-646-79 SCREW +BVTP 3X8 TYPE2 N-S
- #2 7-621-773-93 SCREW (PANEL 2.6 TP2)
- #3 7-682-548-04 SCREW +BVTT 3X8 (S)
- #4 7-685-650-79 SCREW +BVTP 3X16 TYPE2 IT-3
- #5 7-682-560-04 SCREW +BVTT 4X6 (S)
- #6 7-621-849-00 SCREW (BV/RING)

